

**Screw-down stop and check valve, flat faced, flanged type 1270/1271-LK,  
 gunmetal Rg5/SoMs 59  
 with bolted bonnet**

**Nominal pressure**

DN 15 – DN 150 **PN16**    DN 200 **PN10**

Typ 1270 & 1270-LK *straight type*

Typ 1271 & 1271-LK *angle type*

**Application:**

Suitable for seawater / cold and hot fresh- / cooling- / ballast- / bilge- and waste water, saturated steam, oil and other neutral non aggressive liquids.

For the application for highfluid liquids or air a special sealing surface is necessary.

(Please inform us about type of the liquid, pressure and temperature.)

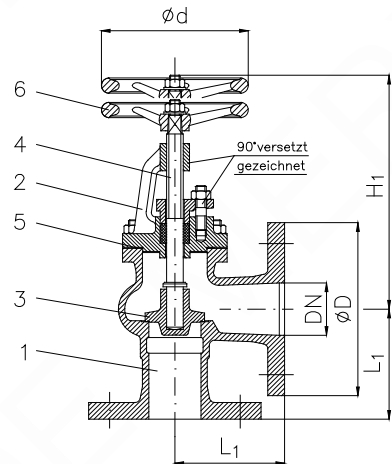
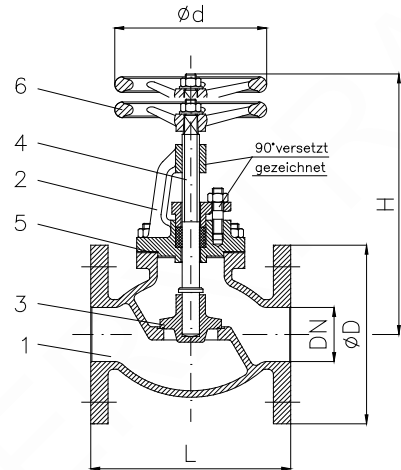
Application for temperatures up to 200°C (steam up to 180°C)

**Admissible temperatures and pressures:**

max. pressure	up to 120°C	over 120°C
DN 15 - 150	16 bar	13 bar
DN 200	10 bar	8 bar

**Special design:**

- ◇ Disc with exchangeable sealing (PTFE, NBR, etc.)
- ◇ Stem material CuSn 6, CuAl10 Ni etc.
- ◇ Valves mat. G-CuSn10 Zn, CuSn10-C etc.
- ◇ Valves design acc. Rg 03 and Gbz 03 with seat ring in CuAl10 Ni etc.
- ◇ Valves with spring
- ◇ with position indicator



Part	Name	Material acc. to DIN	Material acc. to BS
1	body	CuSn5Zn5Pb5-C	B.S.1400:1961 LG 2-C
2	bonnet	CuSn5Zn5Pb5-C	B.S.1400:1961 LG 2-C
3	disc	till DN 50 G-CuSn7Zn Pb from DN 65 CuSn5Zn5Pb5-C	B.S.1400:1961 LG 3-C B.S.1400:1961 LG 2-C
4	stem	CuZn35 Ni	B.S.2874:1962 CZ 114
5	bonnet sealing	FA1 / asbestfree	---
6	handwheel	EN-GJL-250	B.S.1452:1990 Gr.150/180

flange								
DN	Ø D	Ø k x n x Ø d1	L	L1	H	H1	Ø d	Hub
15	95	65 x 4 x 14	120	65	166	157	100	5
20	105	75 x 4 x 14	120	65	178	175	100	6
25	115	85 x 4 x 14	140	70	200	190	100	8
32	140	100 x 4 x 18	150	90	215	205	120	10
40	150	110 x 4 x 18	155	90	235	215	160	12
50	165	125 x 4 x 18	180	105	250	235	160	15
65	185	145 x 4 x 18	200	115	300	260	160	19
80	200	160 x 8 x 18	240	125	305	265	200	24
100	220	180 x 8 x 18	270	145	335	285	250	28
125	250	210 x 8 x 18	320	170	390	310	250	36
150	285	240 x 8 x 22	370	200	435	340	315	40
200	340	295 x 8 x 22	500	250	620	570	315	56

Typ 1270-LK		Typ 1271-LK	
kv	≈ kg	kv	≈ kg
5	4,3	5	4,0
8	5,0	8	5,5
12	6,0	14	6,2
19	8,7	22	8,4
31	10,0	40	10,0
43	13,2	60	12,8
72	23,0	101	23,2
107	31,9	119	31,0
156	42,8	181	41,0
280	62,0	285	65,0
389	88,0	397	89,0
667	136,0	710	127,0